

*¡ Únete al Equipo MPOWER !*

# GUÍA BÁSICA DE PIEZAS M P O W E R

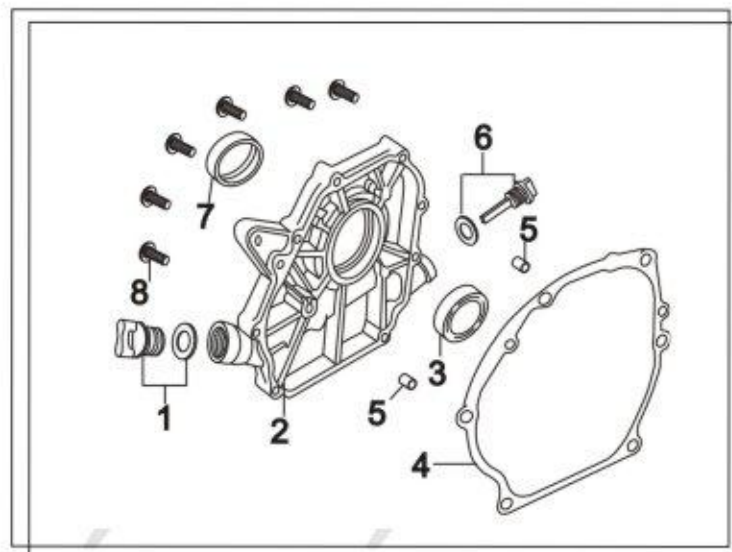
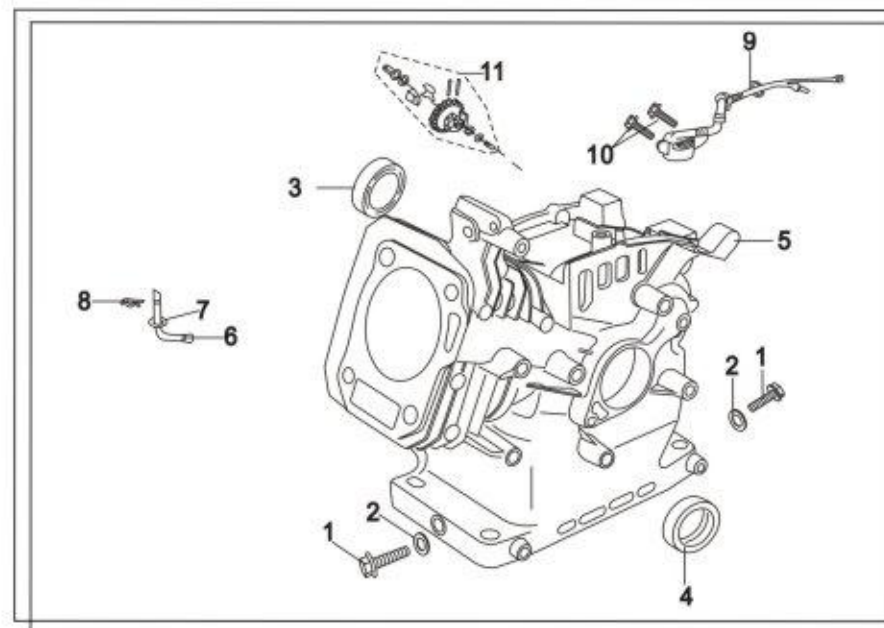
## BOMBA TRAGASOLIDOS BAT 3x3



**MPOWER**

## E-1 CRANKCASE ASSY

S/N	PART No.	DESCRIPTION	QUANTITY
1	11212/168F	Drain plug	2
2	11213/168F	Washer	2
3	GB/T276	Bearing 6205	1
4	13180/168F	Oil seal, crankshaft	1
5	11100/168F-2	Crankcase	1
6	26311/168F	Regulating sway bar	1
7	26329/168F	Washer	2
8	26321/168F	Split pin	1
9	37810/168F	Oil sensor	1
10	GB/T16674.2	Bolt M6×14	2
11	25120/168F	Driven gear assy, regulator	1



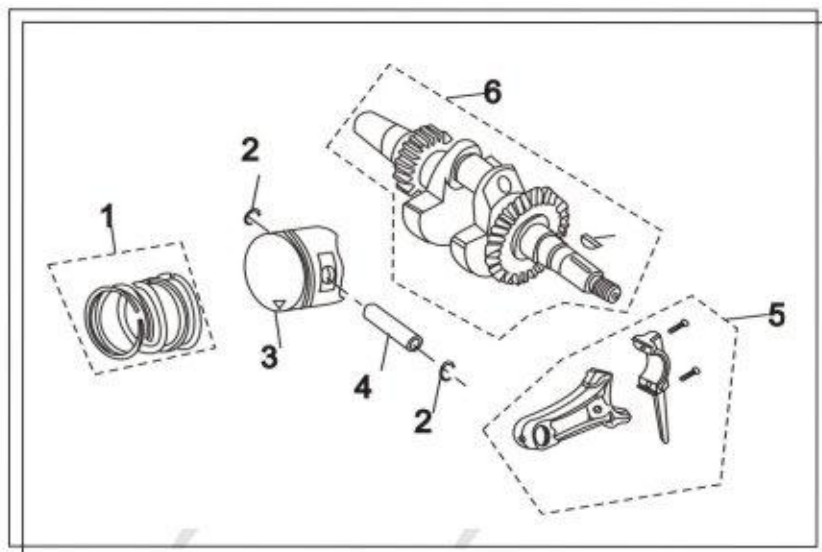
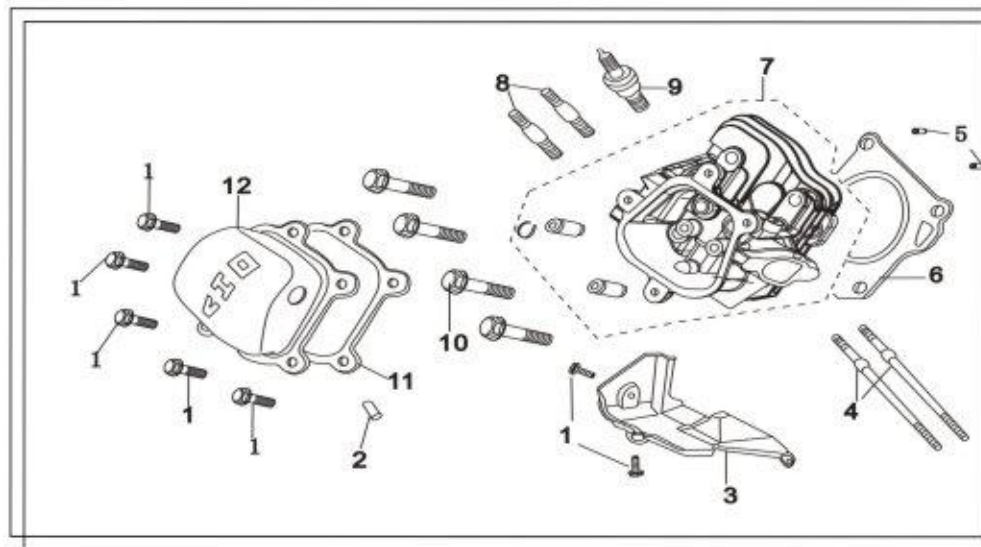
## E-2 CRANKCASE COVER ASSY

S/N	PART No.	DESCRIPTION	QUANTITY
1	15650/168F	Oil plug with Seal	1
2	11311/168F-2E	Crankcase cover	1
3	GB/T276	Bearing 6205	1
4	11119/168F-2E	Gasket, crankcase	1
5	11118/168F	Set pin	2
6	15610/168F	Dipstick with seal	1
7	13180/168F	Oil seal, crankshaft	1
8	GB/T16674.2	Bolt M8×32	6

# BOMBA TRAGASOLIDOS BAT 3x3

## E-3 CYLINDER HEAD & CYLINDER HEAD COVER ASSY

S/N	PART No.	DESCRIPTION	QUANTITY
1	GB/T16674.2	Bolt M6×12	6
2	20152/168F	Air duck	1
3	19721/168F-2A	Lead wind cover	1
4	12252/168F	Stud M6×109	2
5	12218/168F	Set pin $\phi$ 10×16	2
6	12220/168F-2A	Gasket, cylinder head	1
7	12210/168F-2	Cylinder head Assy	1
8	12253/168F	Stud M8×34	2
9	34200/168F	Spark plug F6TC	1
10	12256/168F	Bolt	4
11	12312/168F-2A	Gasket, cylinder head cover	1
12	12310/168F-2A	Cylinder head cover Assy	1



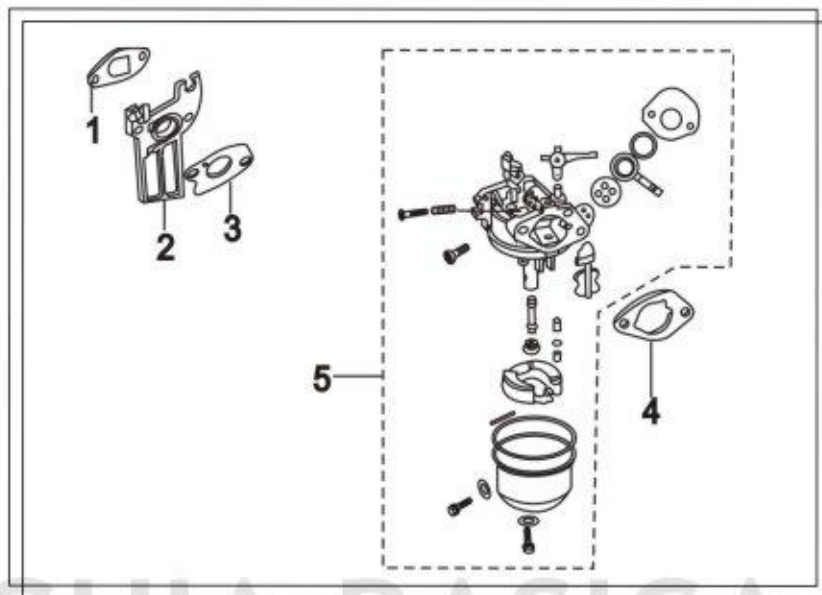
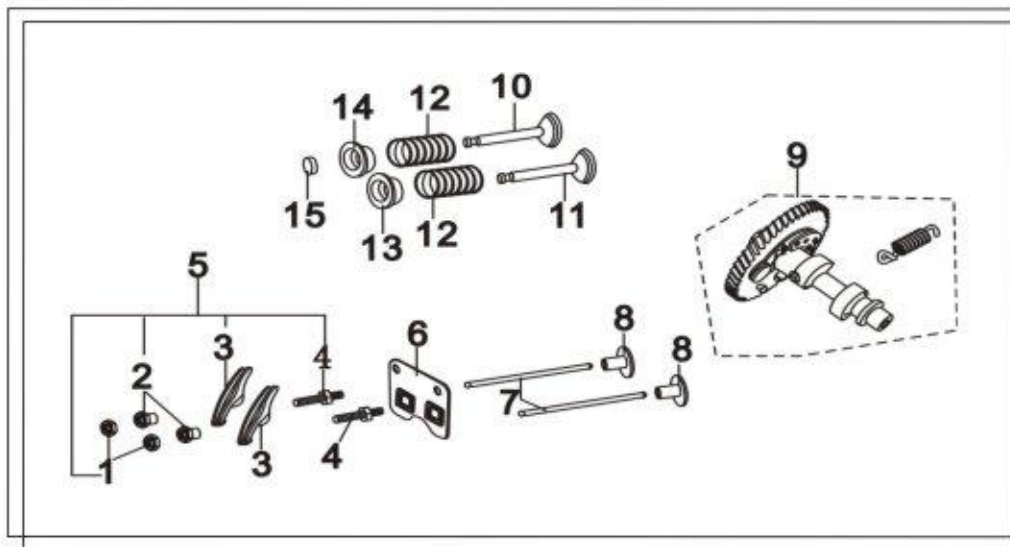
## E-4 RANKSHAFT, PISTON & CONNECTING

S/N	PART No.	DESCRIPTION	QUANTITY
1	13300/168F	Piston ring assy	1
2	13222/168F	Piston pin circlip	2
3	13211/168F	Piston	1
4	13221/168F	Piston pin	1
5	13130/168F	Connecting rod assy	1
6	13110/168F	Crankshaft assy	1

# BOMBA TRAGASOLIDOS BAT 3x3

## E-5 COMBINATION OF CAM SHAFT & VALVE ROCKER

S/N	PART No.	DESCRIPTION	QUANTITY
1	14416/168F	Lock nut	2
2	14413/168F	Sleeve	2
3	14411/168F	Valve rocker	2
4	14415/168F	Adjusting bolt for valve gap	2
5	14410/168F	Valve rocker assy	2
6	14261/168F	Pusher guide	1
7	14250/168F	Pusher	2
8	14455/168F-2	Tappet	2
9	14100/168F-2	Camshaft Assy	1
10	14721/168F	Exhaust valve	1
11	14711/168F	Intake valve	1
12	14755/168F	Valve spring	2
13	14751/168F	Spring seat, intake valve	1
14	14757/168F	Spring seat, exhaust valve	1
15	14758/168F	Cap	1



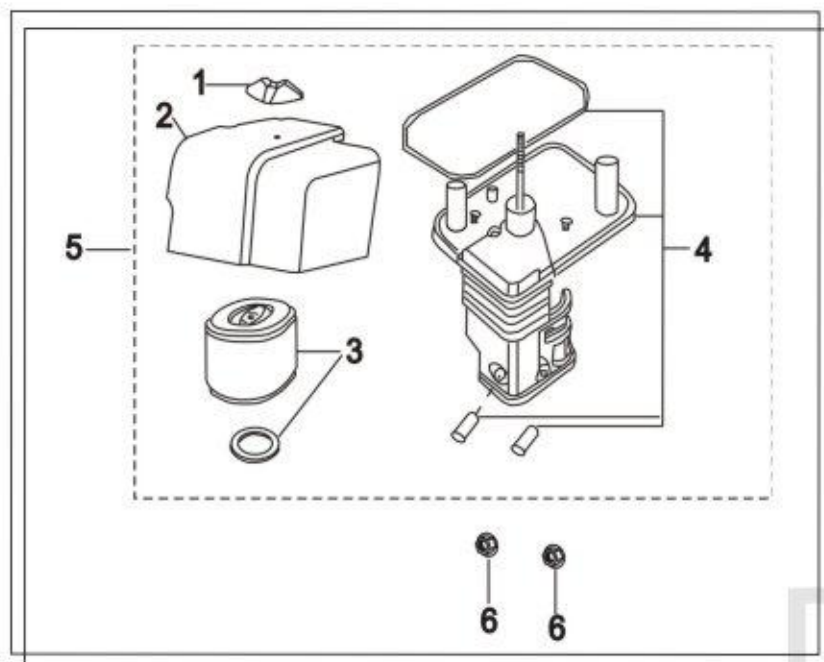
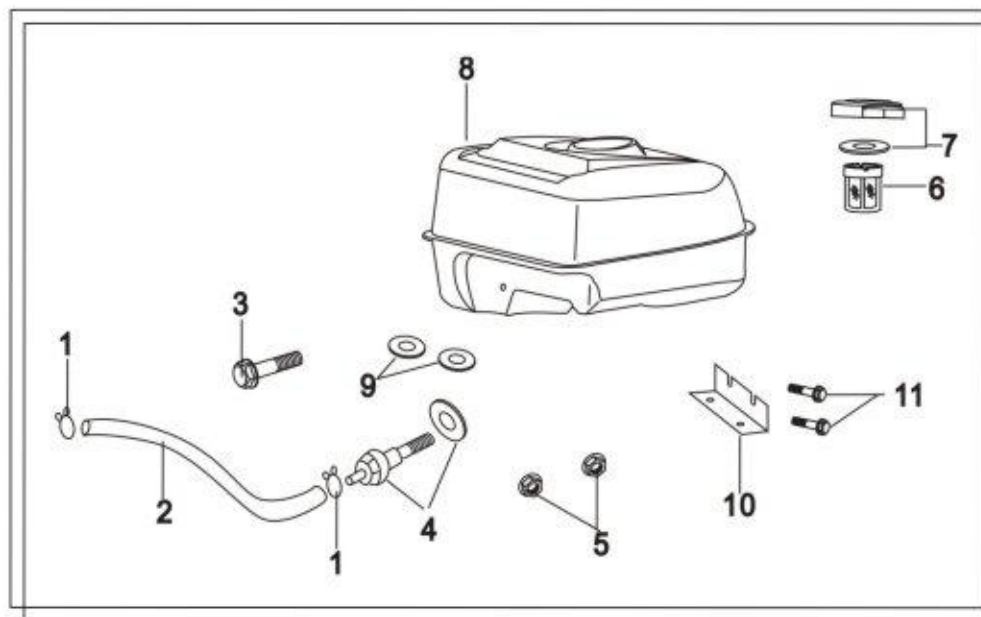
## E-6 CARBURETOR ASSY

S/N	PART No.	DESCRIPTION	QUANTITY
1	12254/168F	Inlet gasket	1
2	16141/168F	Connecting block	1
3	16142/168F	Carburetor gasket	1
4	17330/168F	Air cleaner gasket	1
5	16100/168F-2	Carburetor Assy	1

# BOMBA TRAGASOLIDOS BAT 3x3

## E-7 FUEL TANK ASSY

S/N	PART No.	DESCRIPTION	QUANTITY
1	16937/168F	Pipe clamp	2
2	16931/168F	Outlet pipe	1
3	GB/T16674.2	Bolt M6×28	1
4	16950/168F	Connector	1
5	GB/T6177	Nut M6	2
6	16916/168F	Filter cup	1
7	16500/168F-B	Fuel filler cap with packing ring	1
8	16610/168F-B	Fuel tank	1
9	41350/40ZB60-4.8Q	Frame shock pad	2
10	16815/168F-2E	Plug-in board	1
11	GB/T5789	Bolt M6×12	2



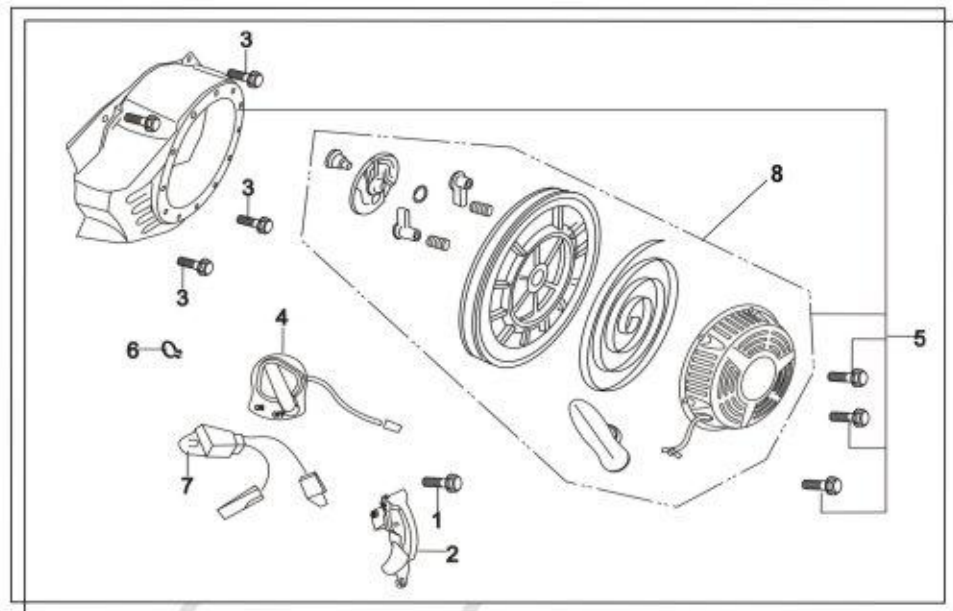
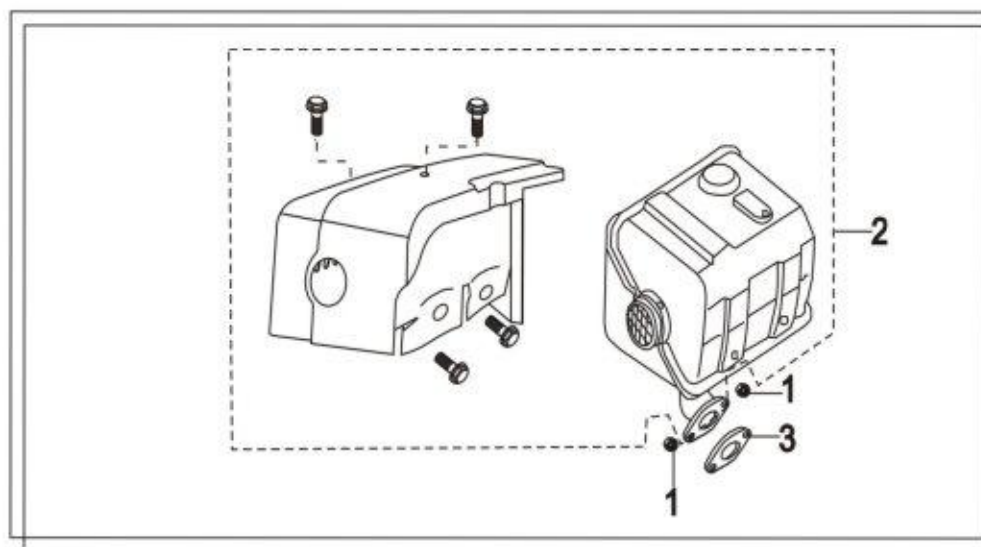
## E-8 AIR CLEANER ASSY

REF No.	PART No.	DESCRIPTION	QUANTITY
1	17117/168F-B	Air cleaner cover nut	1
2	17111/168F-B	Air cleaner cover	1
3	17130/168F	Filter element	1
4	17131/168F	Air cleaner housing	1
5	17100/168F-B	Air cleaner assy	1
6	GB/T6177	Nut M6	2

DE PIEZAS

## E-9 MUFFLER

REF No.	PART No.	DESCRIPTION	QUANTITY
1	GB/T6170	Nut M8	2
2	18000/168F-B	Exhaust muffler	1
3	12255/168F	Exhaust gasket	1

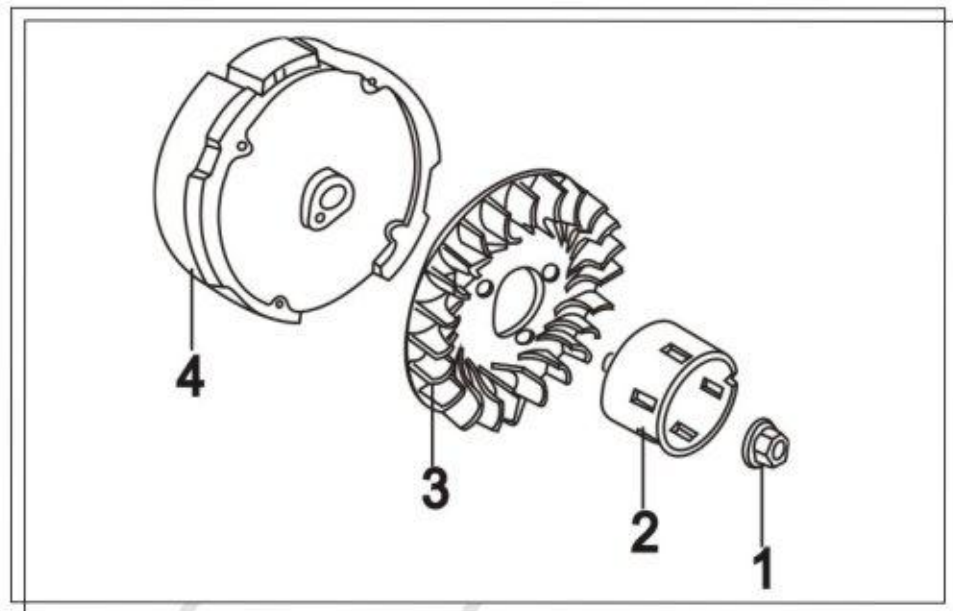
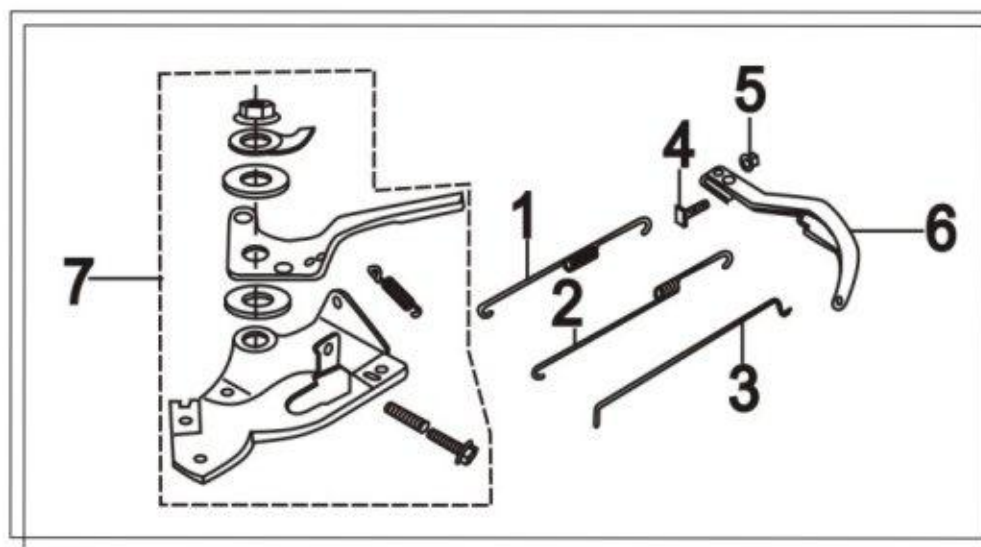


## E-10 RECOIL STARTER

REF No.	PART No.	DESCRIPTION	QUANTITY
1	GB/T16674.2	Bolt M6×22	1
2	19810/168F	Crankcase side plate assy	1
3	GB/T16674.2	Bolt M6×12	4
4	35410/168F-B	Engine switch	1
5	27100/168F	Recoil starter assy	1
6	32211/168F	Plastic clip	1
7	37850/168F-A	Diode	1
8	27300/168F	Recoil starter	

## E-11 REGULATING CONTROL SYSTEM

REF No.	PART No.	DESCRIPTION	QUANTITY
1	26363/168F	Back spring	1
2	26364/168F	Fine regulating spring	1
3	26341/168F	Pulling rod	1
4	26362/168F	Lock bolt	1
5	GB/T6177	Nut M6	1
6	26331/168F	Regulating arm	1
7	26410/168F	Regulating frame assy	1

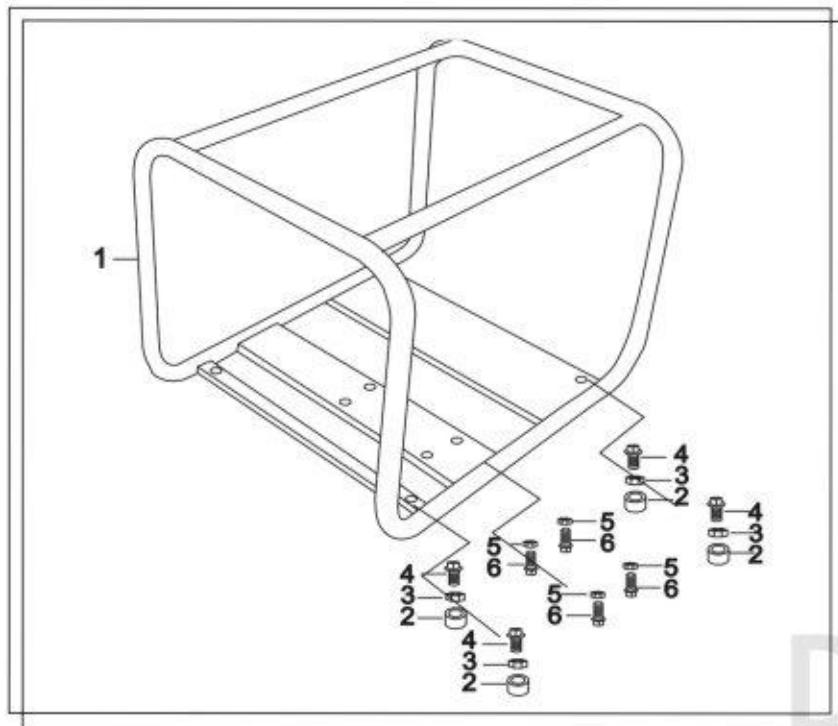
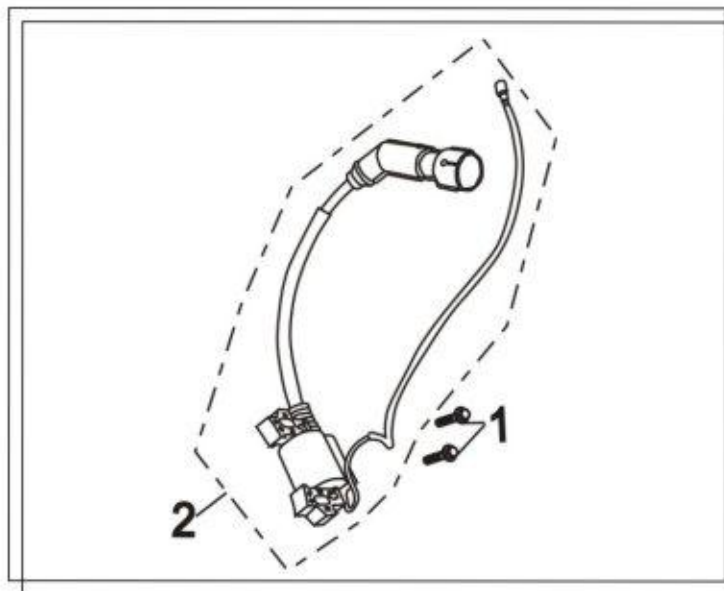


## E-12 FLYWHEEL

REF No.	PART No.	DESCRIPTION	QUANTITY
1	27515/168F	Nut M14×1.5	1
2	27370/168F	Starting flange	1
3	19722/168F	Flywheel fan	1
4	27500/168F	Flywheel	1

## E-13 IGNITION COIL

REF No.	PART No.	DESCRIPTION	QUANTITY
1	GB/T16674.2	Screw M6×25	2
2	34500/168F	Ignition coil assy	1



## E-14 FRAME

S/N	PART No.	DESCRIPTION	QUANTITY
1	511100/80WG	3"Frame sub-assy.	1
2	GB/T923-88	Nut M6	4
3	41310/80WG	Rubber	4
4	GB/T5787	Bolt, M6×12	4
5	GB/T6170	Nut, M8	4
6	GB/T5787	Bolt, M8×32	4



# BOMBA TRAGASOLIDOS BAT 3x3

## E-15 WATER PUMP ASSY

S/N	PART No.	DESCRIPTION	QUANTITY
1	51128/80WG	Bolt, M6T	6
2	GB/T93-1987	Washer	6
3	GB/T95-2000	Washer, copper	10
4	51241/80WG	Plug, Drain	2
5	51242/80WG	O-Ring	2
6	GB/T6177.1-2000	Nut, M8	4
7	51227/80WG	Washer	4
8	51226/80WG	Rubber	4
9	GB/T5783-2000	Bolt, M8x20	4
10	51123/80WG	Housing, Impeller	1
11	51215/80WG	Cover, Impeller	1
12	51222/80WG	Gasket, Inlet Flange	1
13	51214/80WG	Impeller	1
14	GB/T70.1-2000	Bolt, M8x30	4
15	51211/80WG	Housing, rear	1
16		Washer	4
17	51219/80WG	Gasket, 3"	2
18	51218/80WG	Pipe, 3"	2
19	51217/80WG	Union, hose 3"	2
20	51212/80WG	O-Ring	1
21	51231/80WG	Seal, mechanical	1
22	51232/80WG	Seal, mechanical	1
23	02013/80WG	Filter Assy	1

